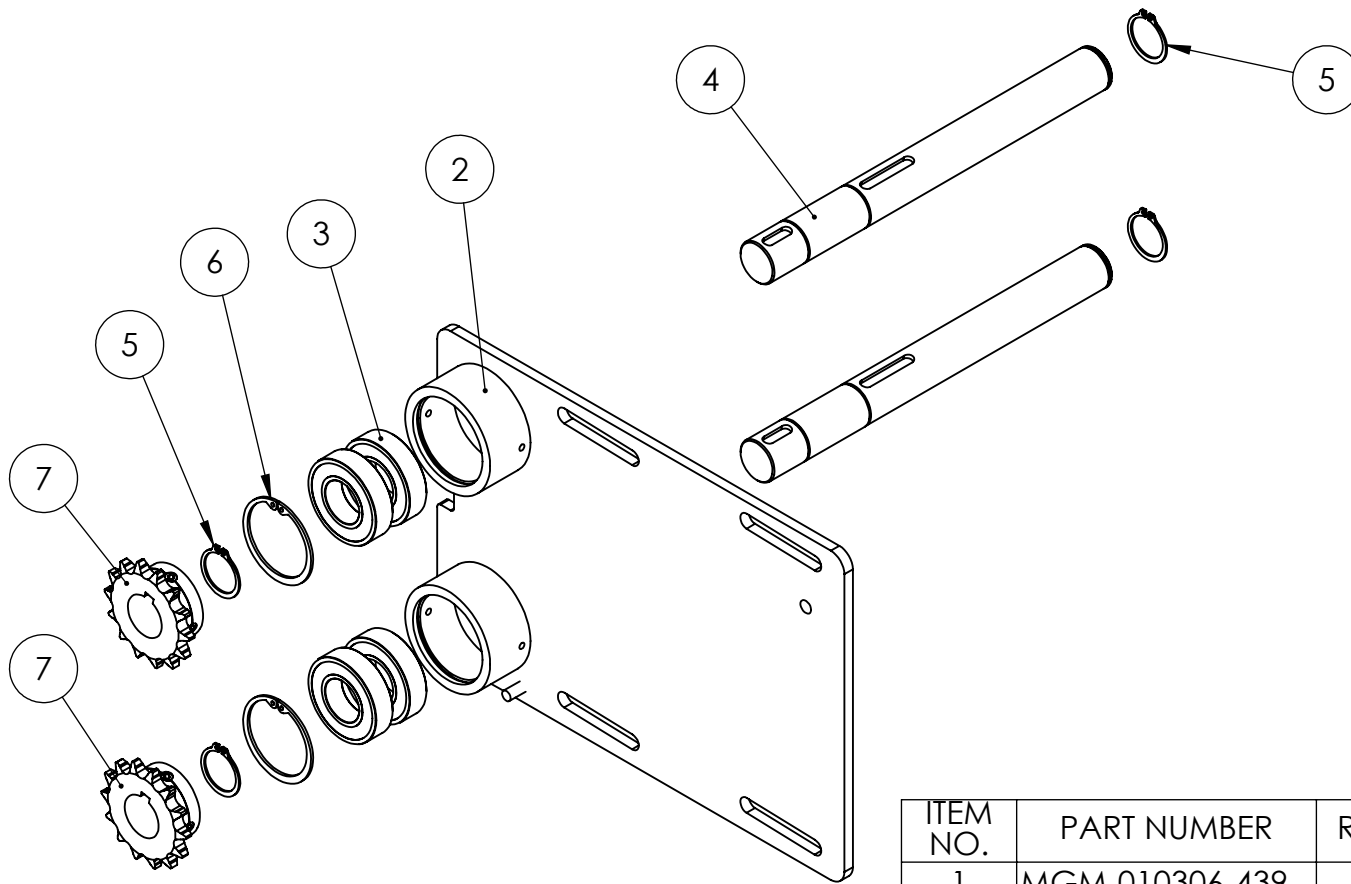


ITEM NO.	PART NUMBER	QTY.
1	MGM-010306-401	1
2	MGM-010306-446	1
3	MGM-010306-409	1
4	DE-STA-CO 610	1
5	MGM-010306-408	1
6	59895K12	1
7	91830A566	2
8	MGM-010306-474	1
9	MGM-010306-457	1
10	3760T243	2
11	MGM-010306-511	1
12	92141A051	8
13	92147A031	4
14	91855A380	8
15	FHS-0420-12	2
16	91590A133	6
17	T10 Pulley stock 23 Tooth	3
18	T10 Pulley stock 30 Tooth	1
19	6665K24	1
20	91773A537	3
21	93852A102	4
22	91855A350	4
23	92240A541	1
24	92198A628	1
25	91847A031	1



ITEM NO.	PART NUMBER	REV.	DESCRIPTION	Default/Qty.
1	MGM-010306-439	D	AXLE MOUNT PART B	1
2	MGM-010306-456	B	BEARING BLOCK	2
3	3760T243		Precision-Plus Steel Ball Bearing -- ABEC-1 Double-Sealed Bearing NO R16 for 1" Shaft Dia	4
4	MGM-010306-434	B	SMALL ROLLER AXLE	2
5	91590A133		Stainless Steel External Retaining Ring for 1" Shaft Diameter	4
6	91580A246		Stainless Steel Internal Retaining Ring for 2" Bore Diameter	2
7	2500T465		Steel Hardened-Teeth Finished-Bore Sprocket for #40 Chain 1/2" Pitch 14 Teeth 1" Bore	2
8	FHS-0420-12	-	STUD, PEM, 1/4-20.75, S.S.	2